

Extend any RS232 and stereo device up to 3000ft using a single Cat5 cable.

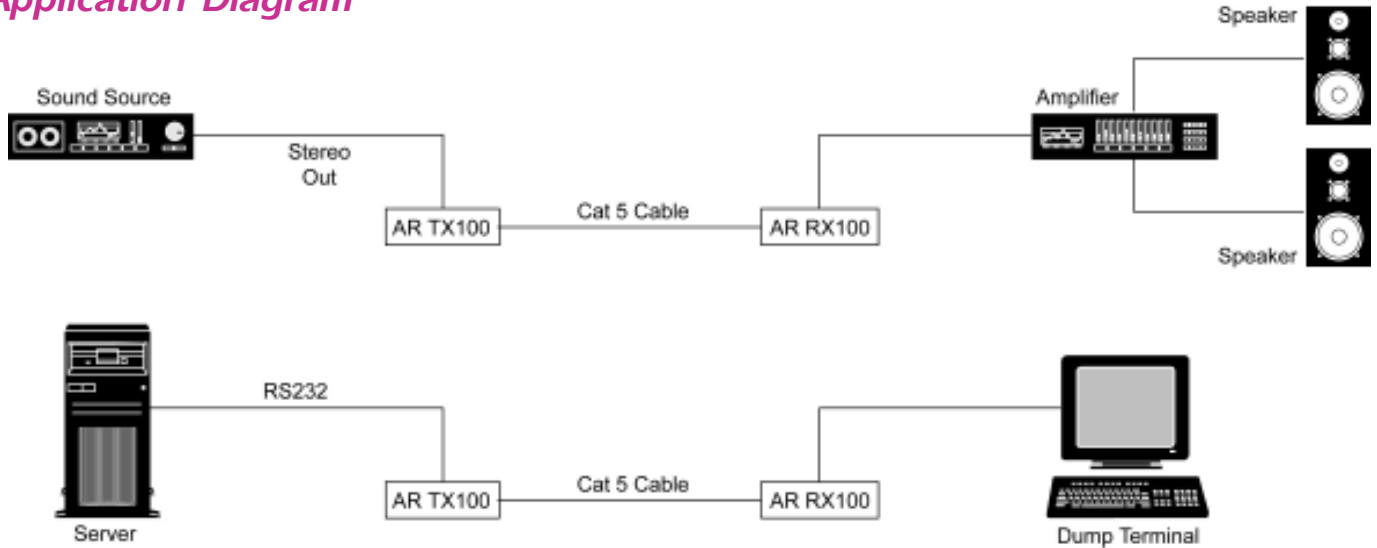


The AR100 RS232 - Sound Cat5 extender allows you to extend any full Duplex RS232 with any Stereo sound up to 3000ft using a single unshielded Cat5 cable.

FEATURES

- ▲ Unbalanced stereo line level analogue audio to be transmitted via UTP Cat5 Hi-fidelity audio frequency response.
- ▲ Extend any touch screen up to 3000ft.
- ▲ Extend any sound system up 3000ft.
- ▲ Supports all protocol and baud rates.
- ▲ Uses easy to install inexpensive CAT5.
- ▲ Output reaches up to 3000 feet.
- ▲ Compatible with line level stereo audio signals.
- ▲ High ground loop immunity.
- ▲ Built-in lightning, power surge and transient protection.
- ▲ Remote units come with buffered outputs.
- ▲ Compact enclosure.
- ▲ Optional power supply for remote unit.
- ▲ Fully transparent path for all protocols and data transfers.

Application Diagram



Applications

- ▲ Hotel
- ▲ Cable TV remote control
- ▲ Control rooms
- ▲ Remote On-Digital set-top control
- ▲ Sky box control extension and switcher output
- ▲ Dealer rooms
- ▲ Point of Sale
- ▲ Remote VCR control



SPECIFICATIONS

RS232	(TX - DB9Female) (RX - DB9Male)
Protocol	Full duplex, transparent to all baud rate
Audio	Signal Type Stereo Audio Bandwidth 15MHz, 0dB Impedance 100 Ohm Connector 3.5mm mini jack, Femal
Cat5	UTP Cat5, up to 3300ft
Power	5VDC
Dimensions (Inches)	(L) 3.5" x (W) 2.75" x (H) .825"
Product Weight (lbs)	0.20 lbs

ORDER INFO

Model	Description
AR100	Transmitter and Receiver for DVI over CAT5
AR-RX100	DVX Receiver. Receiver DVI over STP cable.
AR-TX100	DVX Transmitter. Transmitter DVI over CAT5

SmartAVI, Inc.
 3111 Winona Ave, Suite 101
 Burbank, CA 91504
 Tel: (818) 565-0011
 Fax: (818) 565-0020
 Email: info@smartavi.com
 www.smartavi.com