

MXU-88 Plus

8X8 4K HDMI/USB 2.0 Matrix Switch



Access and control up to eight computers with 4K HDMI and transparent USB 2.0 devices from up to eight remote workstations.

FEATURES

- Remote control via SmartMUX HUB and MXU Control Units
- (8) HDMI inputs with resolutions up to 4K (3840x2160 @ 30Hz)
- (8) HDMI outputs with resolutions up to 4K (3840x2160 @ 30Hz)
- (8) USB 2.0 Type B inputs
- (8) Dual USB 2.0 Type A outputs
- Supports digital audio over HDMI
- Supports DVI-D with adaptors
- Supports USB keyboard-mouse control (NO EMULATION)
- Supports USB peripheral devices (external hard-drives, scanners, printers, etc...)
- Simple two-button front panel control with LCD status display
- Full web-based control console over Ethernet
- Learns and stores EDID information
- HDMI 1.4 & HDCP Compliant
- Control Sun, Mac, or PC computers from one workstation
- Plug-and-play for immediate use



OVERVIEW

The MXU-88 Plus is the latest upgrade to one of SmartAVI's most powerful and efficient matrix switching solutions. This 8X8 switching hub grants up to eight users shared remote access to as many as eight remote work stations and transparent USB 2.0 devices. Great for applications such as multi-user remote supervision or group-based video editing projects, the MXU-88 Plus excels even more at expediting work-flow for digital devices of various kinds.

Capable of displaying HDMI-based video at resolutions up to 4K (3840×2160 @ 30Hz), the MXU-88 Plus is perfect for non-emulation KVM operations where a high degree of picture clarity is imperative. Better yet, the MXU-88 Plus is easy to control, outfitted with a simple two-button front panel interface and a web-based command console via Ethernet connection. The MXU-88 Plus's 16-port USB 2.0 output is ideal for transparent peripherals like keyboards, mice, external hard-drives, cameras, printers, scanners, streaming devices, and more. For comprehensive matrix switching and USB 2.0 device control remotely made easy, choose the MXU-88 Plus matrix switch powered by SmartAVI!

The MXU-88 Plus is an ideal solution for medical, industrial, studio and defense applications, where it is not practical or safe to have multiple workstations in close proximity to each other. An operator can switch to any connected computer from any connected station with ease.



Front-panel buttons allow for easy switching, EDID learning, and more!

The MXU-88 Plus features three user-friendly methods of control:

Front-Panel Buttons: two push buttons for switching between sources, systems, and connected devices.

Web Console: control switching, display settings, peripherals, and more from the MXU-88 web-based control interface.

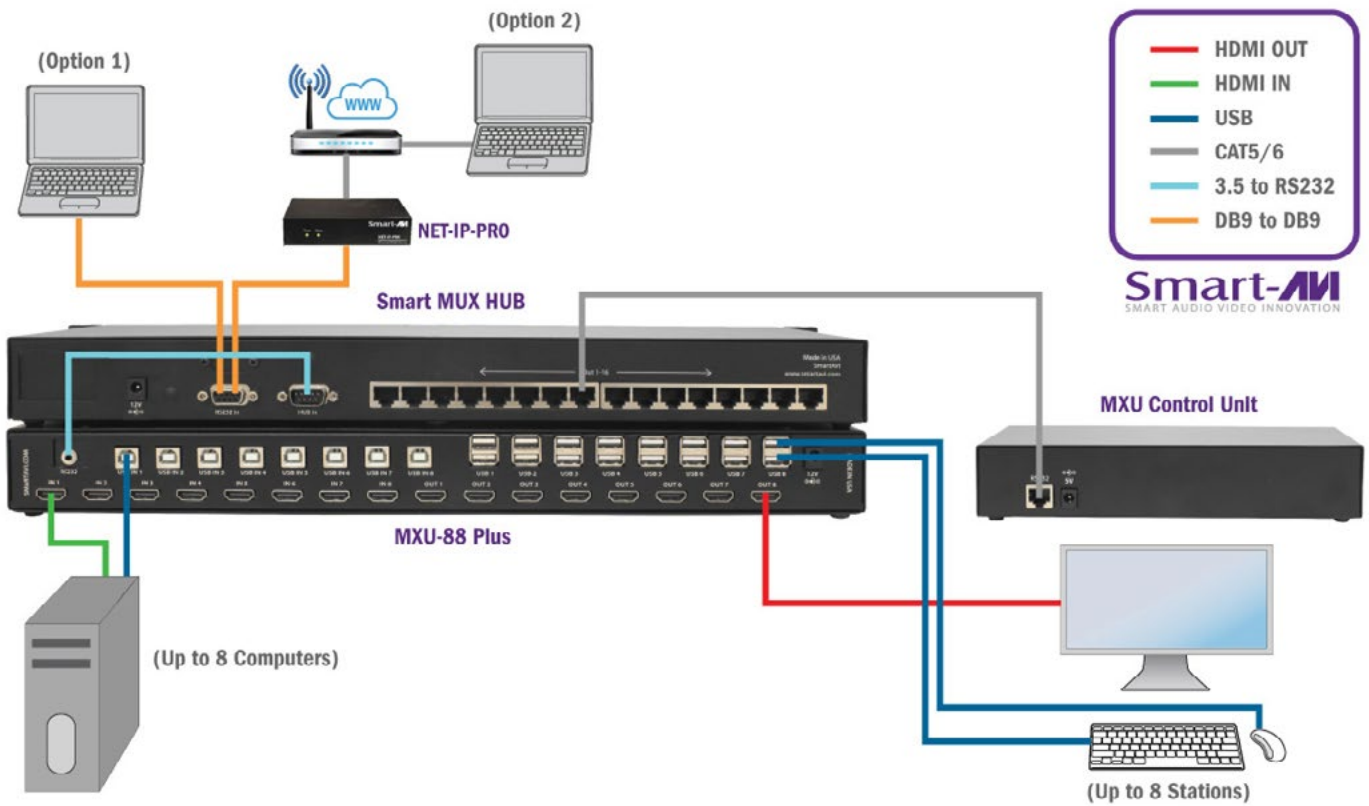
Remote MUX Control Units: Gives each user the option to access any of the connected computers remotely via the Smart MUX Communication HUB.



Connect to the MXU-88's web console for complete device management over the Internet.

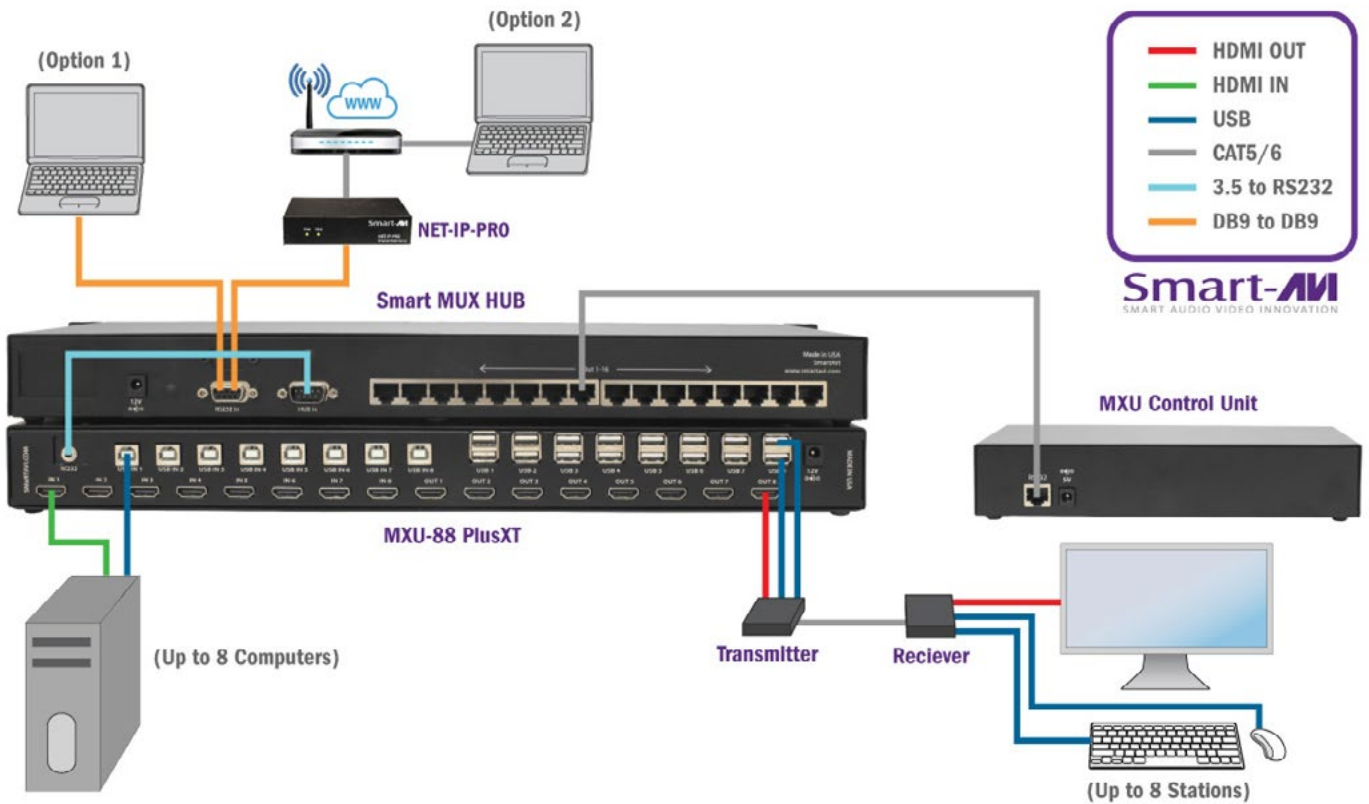


MXU-88 PLUS APPLICATION



Transparent USB 2.0 Switching. Access to any USB Device for Any Station.

MXU-88 PLUS XT APPLICATION



Transparent USB 2.0 Switching. Access to any USB Device for Any Station.

SPECIFICATIONS

MXU-88 Front



MXU-88 Rear



Smart Mux Hub Front



Smart Mux Hub Rear



MXU Control Unit Front



MXU Control Unit Back



SPECIFICATIONS

VIDEO & AUDIO	
Input Interface	(8) HDMI Type A 19-pin Female TMDS
Output Interface	(8) HDMI Type A 19-pin Female TMDS
Max. Resolutions	Up to 4K (3840x2160 @ 30Hz)
HDMI Version	HDMI 1.4
Video Bandwidth	300 MHz
Max. Cable Length	Up to 20 ft.
Audio	Stereo Embedded in HDMI signal
USB	
Signal Type	USB 2.0, 1.1, and 1.0
Input	(8) USB Type B Female (No Emulation)
Output	(16) USB Type A Female

SMART MUX COMMUNICATION HUB	
CE Approval	Yes
Control Connectors	DB9 Male / DB9 Female
Signal	RS232 half duplex +/- 12V
User Connector	16 RJ45, RS232 TTL +/-5V
Remote Power	POE
Data Format	5 to 8 bits
Interface	RS-232 async
Speed	300 bps to 76.8 kbps
Power	115/230 TO 12vdc 3a
Switches	Code Operated
Weight	3.8 lbs

CONTROL	
Front Panel	Front panel buttons
Ethernet (TCP/IP)	via RJ-45
OTHER	
Power Supply	Internal 100-240 VAC/ 12 DC, 5A
Max Consumption	100 W
Dimensions	17.06" W x 2.0" H x 10.4" D
Weight	8.8 lbs
Operating Temp.	32 to 122°F (0 to 50 °C)
Storage Temp.	-4 to 149 °F (-20 to 65 °C)
Humidity	Up to 85% RH (non-condensing)

MUX CONTROL UNIT	
CE Approval	Yes
Signal	RS232 half duplex +/- 12V
User Connector	16 RJ45, RS232 TTL +/-5V
Remote Power	POE
Optional	5VDC
Data Format	5 to 8 bits
Interface	RS-232 async
Speed	300 bps to 76.8 kbps
Power	Internal via POE
Switches	Code Operated
Weight	2 lbs

ORDERING INFORMATION	
Part No.	Description
MXU88-S	8X8 4K HDMI USB 2.0 Matrix Switch
SC-HUB16	16 Port RS232 Selector SmartMux Communication HUB
SC-RM8	MXU Controller Unit
CST2RS232	3.5mm to RS232 cable
PS12VD5A	Power Adapter
PS12VD3A	Power Adapter
PS5VD2A	Power Adapter
	Quick Start Guide



Designed and Manufactured in the USA

www.smartavi.com

Tel: 800.AVI.2131 • 818.503.6200 • 11651

Vanowen St. North Hollywood, CA. 91605

Smart-AVI
SMART AUDIO VIDEO INNOVATION