

UXPRO

Extend USB, WUXGA, Audio, RS232 and IR beyond the limit...up to 275ft using CAT5



Use CAT5 cable to broadcast high resolution WUXGA, Stereo Audio, RS232 / IR and USB 1.1 up to 275ft

UXPRO is a high resolution UXGA and stereo audio extender system (transmitter and receiver) designed to broadcast desktop video, stereo audio signals, IR/RS232 and USB1.1 over unshielded twisted pair(UTP) cabling.

With RS232 communication support the UXPRO allows users to send commands to a single or multiple devices. This allows the user to change the volume or turn on/off the display panel remotely.

Remotely accessing your USB device is made convenient in a variety of situations. You can locate users away from hazardous industrial environments where the USB device is located. Locate devices away from areas vulnerable to theft of hardware and data, reduce noise and heat; increase desk and floor space.

Features

- Supports dual screens.
- Uses easy to install, inexpensive CAT-5/5e/6/7/8.
- Each output reaches up to 275 feet (83.2 m).
- Supports high resolution video up to 1900x1200
- HDTV compatible (720p, 1080i,1080p)
- 300 MHz bandwidth.
- Sends high-resolution WUXGA, stereo audio signals, RS232 or IR from one source to 2 locations.
- Compatible with VGA, XGA, Sun, MAC and SGI
- Sync Format / Polarity Preservation.
- Extends USB port up to 275ft from computer.
- Uses one CAT5 (UTP) cable for USB transmission.
- Remotely accessing your USB devices are made convenient in a variety of situations.
- 4-port USB hub with the RX (receiver) unit.
- Compatible with Line Level Stereo Audio Signals.
- High ground loop immunity.
- Built-in power surge and transient protection.
- Designated trimmer in the remote unit to compensate for cable length.
- Compact metal case enclosure.
- External power supply.
- RS-232 communication support to single or multiple displays.
- IR command to single or multiple displays.
- USB1.1 device
- Uses one CAT5 (UTP) for each WUXGA/Audio/RS232 and IR signal transmission.
- Supports USB Keyboard, USB Mouse + additional USB 1.1/1.0 devices

Smart-MM
SMART AUDIO VIDEO INTEGRATION

Take full control of your remote screens

With UXPRO you get full RS232 bidirectional communication to your remote screens. This gives you the power to access information such as screen operation logs from your remote locations. You gain valuable insight into when and how the screen is being used, it's effectiveness and how much life is left on your screen. You can also send power commands such as on/off to one or all of the screens in the group.

The RS232 feature saves you time and money by better managing and prolonging the life of your digital signage network.

Specifications

VGA Data	
Format	RGBHV, RGB, YUV, Y/C, CVBS
Resolution	Up to 1900 x 1200 VGA, SVGA, XGA, SXGA
Connector Type	HD 15 socket
USB	
USB 1.1	(low and full speed)
Transmitter	USB Type B
Receiver 4	USB Type A
Audio	
Signal Type	Stereo unbalanced
Connector	3.5mm jack socket
RS232	
	DB9M
	TXD, RXD, Gnd.
	9600 bps
Power	External 5VDC adaptor
Connector	2.1mm DC jack (center +ve)
Physical	
Dimensions	7.75" x 3.38" x .937" (197 x 86 x 24 mm)
Weight	.60 lb (0.27 kg)

Environment Operating Temp. 32°F-113°F (0°C-45°C)
Humidity 0% - 80% non-condensing

Applications for UXPro

Presentations

The UXPro series enhances any presentation from commercial products to corporate financial data. It can be used in show rooms, board rooms, trade shows and window displays.

Data Broadcasting

Data such as news, stock prices, sports results, and flight information can be broadcast in real time to various monitors.

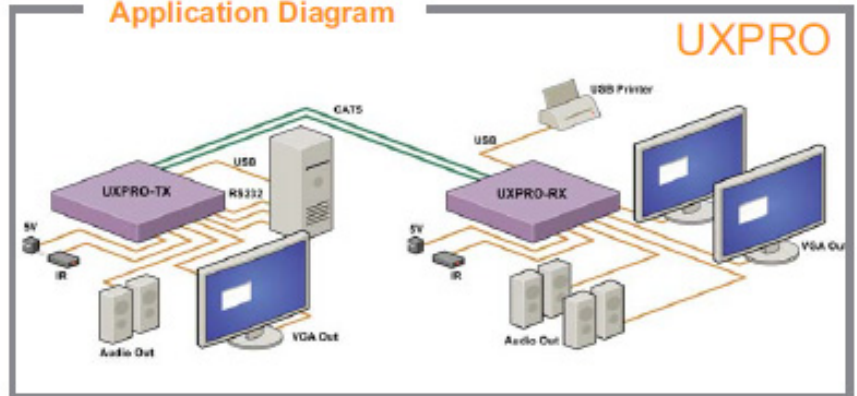
Learning and Training

UXPro can be used in educational presentations to multiple locations, in schools and in other training facilities.

Many leading businesses have already recognized the innovation of SmartAVI's technologies and have eagerly implemented them. Users of SmartAVI technology include among others;



Application Diagram



Order Info

Items	Part No.
UXPRO Transmitter unit	LXP-TX
UXPRO Receiver unit	LXP-RX
5 volt dc power supply	PS5VDC2A
HDD 15 male to male VGA cable (6ft)	CC-VGAMM-06

Accessories

