

DVI-D, RS-232 and Audio, Extender Family



DVX-Pro

Extend Multiple Signals Up To 250 Feet

For the extension of DVI-D (including touch screen), stereo audio and RS-232 signals using two CAT5/5e/6 cables

OVERVIEW

The DVX-Pro can extend DVI-D, USB I.I, stereo audio and RS-232 signals up to 250 feet using two CAT5/5e/6 cables, while retaining clear video and audio quality (with image resolution up to 1900 x 1200 at 60Hz).

FEATURES

- Top image quality at all resolutions
- Video resolutions up to 1900 x 1200 at 60Hz (1280 x 1024 at 75Hz) up to 250 feet
- Internal DCC tables
- Distance: 250 feet with a CAT5/5e/6 STP cabling
- Basic device to remotely locate Touch Screen and sound
- Full duplex RS-232 up to 150kbps
- Compatible with all operating systems
- Compatible with all major Touch Screens and Tablets
- Rack Mount options (19"): Mount up to 4 devices in a 19"/IU rack mount kit.
- Supports stereo sound

APPLICATIONS

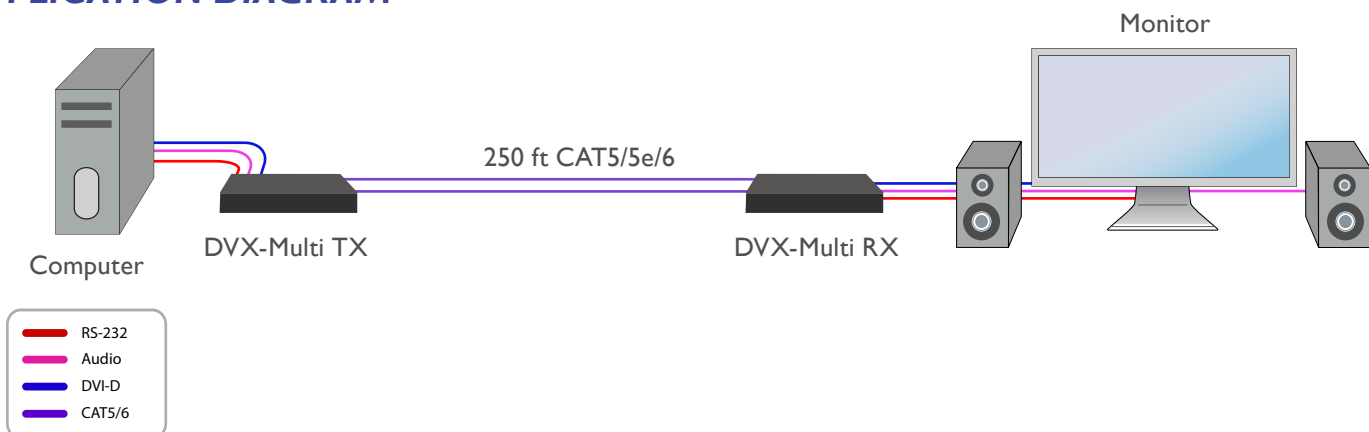
Kiosks -The maintenance of kiosks can be greatly reduced through the ability to support stations in single PC closet.

Savings - Saves on equipment costs, physical space and utilities expense.

Productivity - Increases productivity by facilitating testing and performance evaluation of software and equipment, on multiple servers, from a single keyboard mouse and monitor station.

Multimedia - Can be used in multimedia presentations, where the information is broadcasted to various KVM. Provides remote access of the PC with DVI-D, keyboard, mouse and sound.

APPLICATION DIAGRAM



SPECIFICATIONS



DVX-Pro-RX Front



DVX-Pro-TX Front



DVX-Pro-RX Back



DVX-Pro-TX Back

VIDEO

Input Interface	DVI-D (Single-Link)
Output Interface	DVI-D (Single-Link)
Resolution	1920x1200 at 60Hz, resolution up to 1280x1024 min. 75Hz
Supported	480p, 720p, 1080i


AUDIO

Signal Type	Stereo Audio
Bandwidth	15MHz, 0dB
Impedance	10K Ohm

OTHER

RS-232	Full duplex, transparent to all baud rates TXd, RXD, GROUND
System cable	CAT6, STP x4 CAT6, 568B
Size TX/RX	6.125" (L) x 6.25" (W) x 0.825" (H)
Weight	0.40 Lbs.
Power	External 100-240 VAC/5VDC4A

Part No.	Description
DVX-Pro	Transmitter and Receiver for DVI over CAT5
DVX-Pro-RX	DVX-Pro Receiver DVI/RS-232/Sound over STP cable
DVX-Pro-TX	DVX-Pro Transmitter DVI/RS-232/Sound over STP cable

 Designed and Manufactured in the USA

www.smartavi.com

Tel: 800.AVI.2131 • 818.503.6200 • 11651
Vanowen St. North Hollywood, CA. 91605

Smart-AVI
SMART AUDIO VIDEO INNOVATION