

TECHNICAL SPECIFICATIONS

VIDEO	
HDMI Version	HDMI 1.4b
HDMI Resolution	Up to 3840X2160 @ 30Hz
Video Color Format	Deep color 8/10/12 bit
Max Bandwidth	320MHz
Max Transmission Bandwidth	3.2Gbps
HDMI Input Cable Distance	1080p up to 15m (49.2 ft), 4K up to 12m (39.3 ft), AWG 26 HDMI Cables
HDMI Output Cable Distance	1080p up to 25m (82 ft), 4K up to 15m (49.2 ft), AWG 26 HDMI Cables
HDMI Input	1
HDMI Output	16
AUDIO	
Audio format	DTS-HD/Dolby-trueHD/Dolby-AC3/DSD
POWER	
Max Working Current	2.15A
Power Adapter Input	Input AC (50Hz, 60Hz) 100V-240V
Power Adapter Output	Output DC 12V/5A
OTHER	
Weight	3.65 lps.
Dimensions	18.13W x 1.75 H x 6 D
Working Temperature	32 to 122 °F (0 to 50 °C)
Working Humidity	Up to 85% RH (no condensation)
Storage Temperature	-4 to 149 °F (-20 to 65 °C)
Storage Humidity	Up to 90% RH (no condensation)

WHAT'S IN THE BOX

PART NO.	QTY	DESCRIPTION
HDS-16PS	1	HDMI 16 Port Splitter
Power Supply	1	PS12VDC5A
Quick Start Guide	1	

NOTICE

The information contained in this document is subject to change without notice. SmartAVI makes no warranty of any kind with regard to this material, including but not limited to, implied warranties of merchantability and fitness for particular purpose.

SmartAVI will not be liable for errors contained herein or for incidental or consequential damages in connection with the furnishing, performance or use of this material.

No part of this document may be photocopied, reproduced, or translated into another language without prior written consent from SmartAVI Technologies, Inc.

20170303

800.AVI.2131

Tel: (818) 503-6200 | Fax: (818) 503-6208
11651 Vanowen St. North Hollywood, CA 91605

SmartAVI.com

Smart-AVI
SMART AUDIO VIDEO INNOVATION

HDS-16P

16-Port 4K/2K HDMI Splitter



Split any 4K/2K HDMI Signal to 16 Displays with no loss of quality

User Manual

INTRODUCTION

The HDS-16P HDMI splitter gives users the ability to take a single HDMI input and route it to 16 displays with no loss of signal quality and a simple, hardware-only implementation. There's no need for multiple source devices for multiple HD displays when using this splitter. The HDS-16P splitter supports HDMI features like 3D video and 4K resolution & audio.

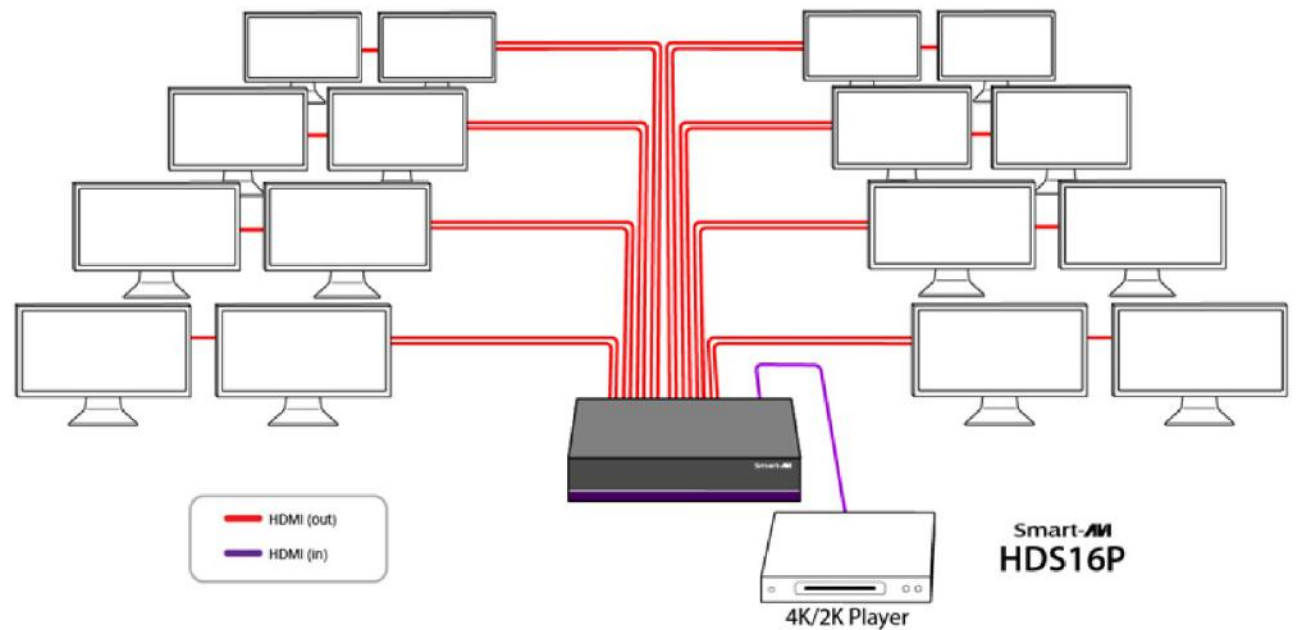
FEATURES

- Ultra HD | 4K 30Hz Resolution
- One HDMI 1.4b input signal split to 16 HDMI 1.4b outputs
- Digital audio format, with DTS-HD/Dolby-trueHD/DTS/Dolby-AC3/DSD
- Input up to 15m (49.2 ft) AWG26 HDMI Cables
- Output up to 25m (82 ft) AWG26 HDMI Cables
- No loss of quality
- Hardware-only solution

APPLICATIONS

Restaurants/Bars
Home Entertainment
Wall Displays
Digital Media
Airports
Dealer Rooms
Control Rooms
Audio/Visual Presentations
Shopping Centers
Security
Point-of-Sale
Hotels/Resorts

INSTALLATION DIAGRAM



CONNECTING THE HDS-16P

1. Turn off the HDMI device and the displays.
2. Connect an HDMI cable from the HDMI source to the input port on the HDS-16P.
3. Connect the displays to the HDMI outputs on the HDS-16P.
4. Connect the power supply to the HDS-16P.
5. Power on the HDMI device and the displays.

FRONT



REAR

