

AV16x16A



ROUTES UP TO 16 XVGA AND STEREO
AUDIO SOURCES TO 16 REMOTE
MONITORS AND SPEAKERS

Cost-effective solution for use in high-quality video and audio switching, security and data distribution.

The AV16x16 provides an unprecedented range of switching and distribution for XVGA video and stereo audio.

The AVRouter 16 series of products provides an unprecedented range of switching and distribution equipment for XVGA and HD video by combining the features of a high-quality video matrix, interactive infrared control, and an easy to use Windows® - based control software.

SmartAVI's AVRouter models are an extremely powerful and cost-effective solution for use in high-quality video switching, security and data distribution. Housed in standard 19" rack mounting cases, various units are available, allowing for multiple configurations to meet your needs.

FEATURES:

- Switches 16 inputs to any 16 outputs for unmatched design flexibility.
- Avmatrix series a full non-blocking switching matrix.
- Integrated RS-232 and Infrared matrix offers unparalleled control.
- Switch signals from devices located up to 50 feet apart.
- HD compatible (720p, 1080i, 1080p).
- High resolution up to 1920 x 1200.
- Compatible with Video Composite, S-Video, Component and XVGA interface.
- Optional Tcp/ip control.
- Can be mixed with other video signals (RGB, YUV, RGBS).
- Output-buffered video ports.
- Sends crystal clear stereo audio.
- Non blocking audio matrix switch with 3.5mm stereo audio for easy connection.

Controlling the Matrix

Another key feature is its capacity to support multiple control interfaces; Control via RS-232 using SmartControl; our Windows based Software included with the system.

Control the Matrix

Smart AVI offers 3ways to control the AV Router; through Windows Software, TCP/IP and IR.

Software Setup and Controls for Windows OS

Setting up the entire matrix configuration settings, with presets (macro) is straight forward using SmartContol Software. Route multiple presets with one command.



Optional IP Control

Control the matrix via the web, using 10/100 Ethernet interface with support for http and telnet. Multiple users with multiple passwords can control the matrix simultaneously.



SMTCP

APPLICATIONS:

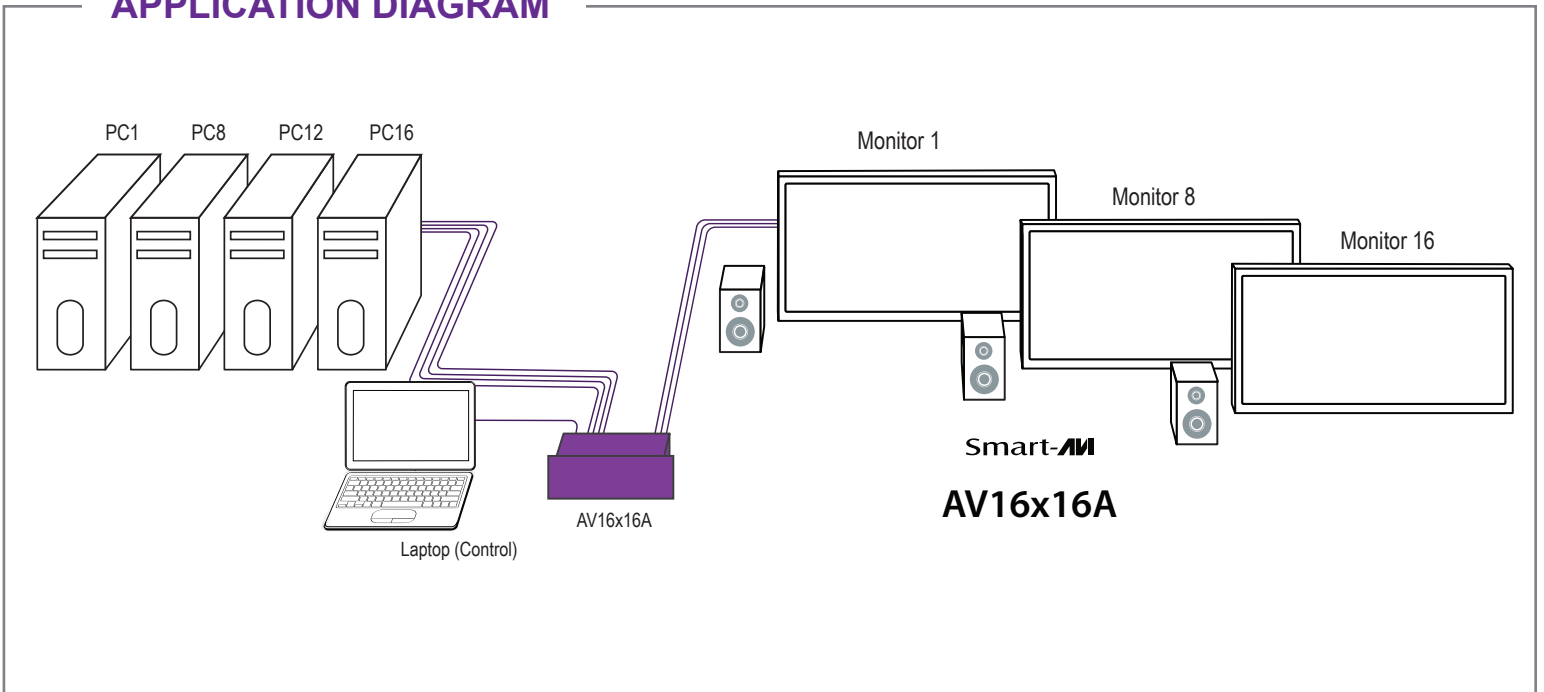
The AVRouter is a high-quality switching matrix for video signals. Signal formats include VGA, SVGA, XGA and UXGA. Standard VGA connectors (HD15 sockets) are used on the rear for ease of installation for video connectivity and RCAs for computer.

AVRouter contains a high bandwidth (400MHz) routing matrix for the Red, Green, and Blue video channels. The color signals and are then balanced internally and this combined signal is then driven out through boosted signals.

Applications for AVRouter include:

- Wall Displays
- Digital Media
- Airports
- Dealer Rooms
- Control Rooms
- Visual Presentations
- Shopping Centers
- Security
- Point-of-Sale
- Hotels/Resorts

APPLICATION DIAGRAM



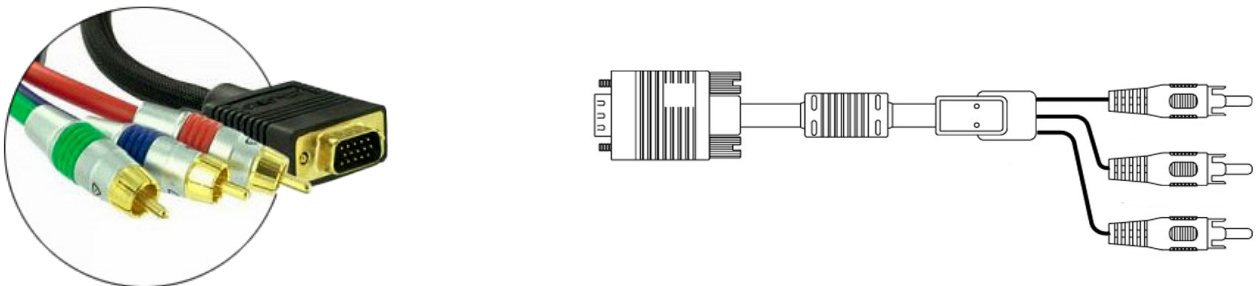
Infrared Remote Control

Use SmartAVI IR Remote to control the matrix from up to 30ft away, codes can be taught by any infrared system.

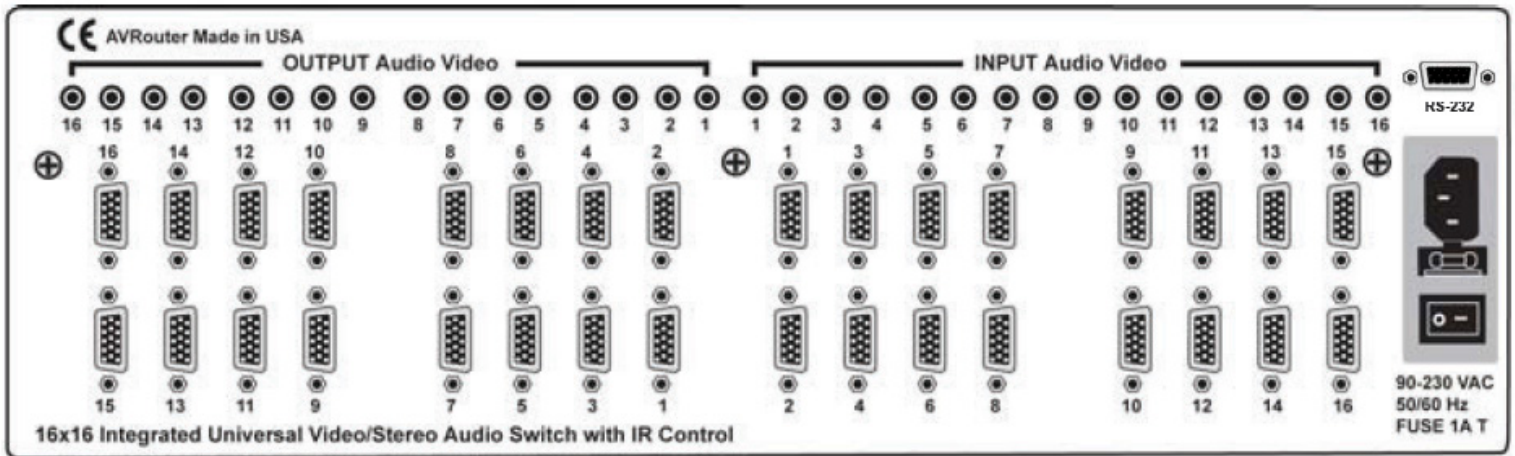


Optional Cables

VGA to Components: Use Smart AVI's VGA to Component cables to connect to a DVD/video player and more.



VGA to Components Cables



AV16x16 Back Illustration

SPECIFICATIONS

AV16x16 Specifications

VIDEO DATA	
Bandwidth	400MHz
Input Signal Level	1Volt pk-pk into 75R
Output Impedance	150 Ohms
Input Impedance	75 Ohms
Format	VGA/SVGA/XGA/RGBHV/ RGsB/CVBS/YC/YUV/RGbs
Syncs	TTL5VDC
Bandwidth	Horizontal Sync up to 85KHz
Connector	HD15 socket
CONTROL	
RS-232	9600bps, DB9 Female, TX, RX, GND
IR	3.5mm connector with 38khz
GUI	Windows Xp, Windows 7 compatible
POWER	
Voltage	90-230V IEC 1A A/S 50/60 Hz

MECHANICAL	
Height	5.24 in. (133.10 mm.)
Width	19 in. (483 mm.)
Depth	11.25 in. (285.75 mm.)
Weight	20 lbs. (9 kg.)
Rack Units	3U
AUDIO	
Signal Impedance	15KHz 0dB unbalanced 100 Ohms
Connector	RCA or 3.5 Stereo Jack
ORDERING INFORMATION	
Part No.	Description
AV16X16AS	Routes 16 UXGA/Component + Stereo Audio to 16 Remote Monitors/Speakers. Includes: [AV16X16A, (CCPWR06), CCRS23205MM, (SM-CSW)]
SM-EY2	External Infrared Receiver Type2
RMT-2	Remote Control Device
SM-TCPS	TCP/IP Control. Includes: [SMTCP, (CCRS232MM) and (PS5VD1A)]



Designed and Manufactured in the USA

Smart-AVI
SMART AUDIO VIDEO INNOVATION