



DVN-8P

CONTROL 8 COMPUTERS, PC OR MAC ON ONE DISPLAY UP TO 20 FEET AWAY
WITH USB 2.0 KEYBOARD AND MOUSE, STEREO AUDIO AND IR CONTROL
8-PORT DVI-D, USB 2.0 AND AUDIO SWITCH

DVNET FAMILY

8-Port Cross-platform DVI-D KVM with USB 2.0, Stereo Audio, RS-232 and IR Control

The DVN-8P allows you to control 8 Computers, PC or Mac on one display up to 20 feet away with USB 2.0 keyboard and mouse, stereo audio and IR control

The DVN-8P is a cross-platform KVM capable of sharing a DVI Monitor, USB 2.0 Keyboard, USB 2.0 Mouse, Stereo Audio and IR between eight computers. It is RS-232 and Infrared compliant, capable of being controlled remotely via software.

FEATURES:

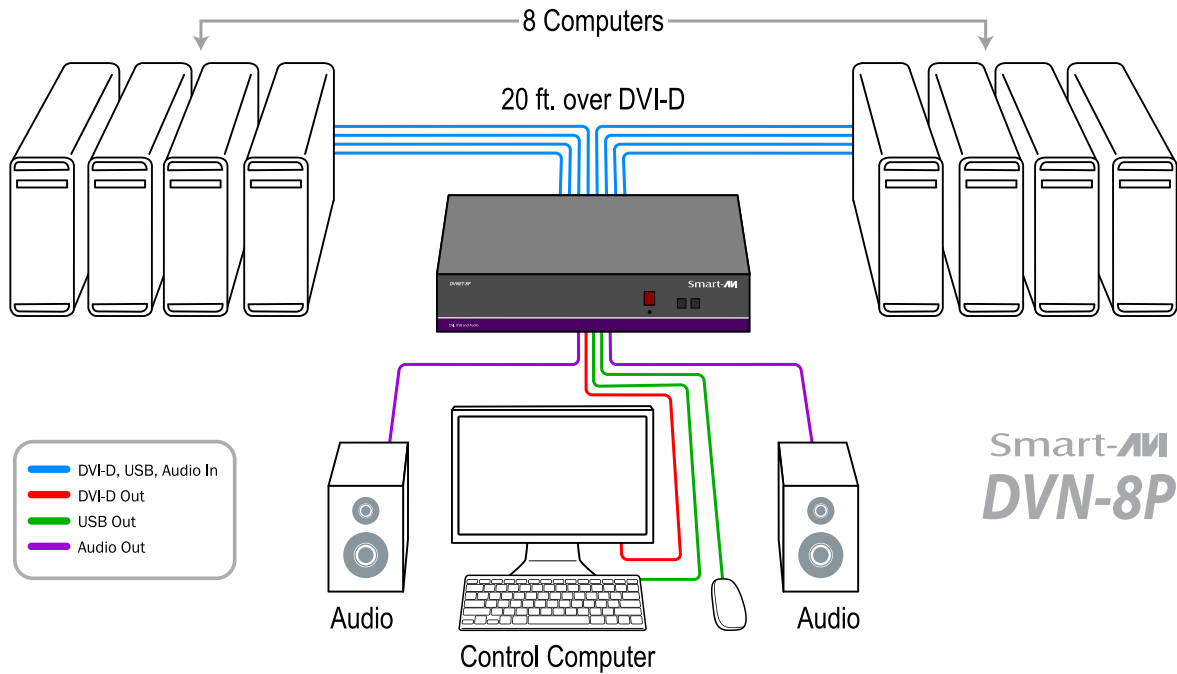
- Supports Mac, PC, Linux and Sun DVI
- Supports High Resolution 1920x1200 60Hz WUXGA
- Uses universal DVI Single Link connectors
- Zero pixel loss with TMDS signal correction
- Supports all USB 2.0 Devices (Flash Drives, Printers, Cameras, Scanners, etc.)
- Supports USB 2.0 keyboard and mouse
- Balanced stereo audio output
- Front panel tactile switch with LED indicator
- Full IR and RS-232 control

APPLICATIONS:

In medical or industrial fields, where it may not be practical (or safe) to have one or more CPUs in the general vicinity, SmartAVI's DVI Switch Series is the perfect solution, allowing for either PC or Mac signals to be extended from computer to monitor (20 feet from computer to DVI Switch, and then 20 feet from DVI Switch to remote monitor/display point).

- Home Theater Integration
- Digital Signage Deployment
- Information Kiosks/Displays
- Film/Recording Studios

APPLICATION DIAGRAM



SPECIFICATIONS

VIDEO	
Format	DVI-D Single Line
Maximum Pixel Clock	165 MHz
Input Interface (TX)	(8) DVI-D 29-pin (Female)
Output Interface (RX)	(1) DVI-D 29-pin (Female)
Resolution	Up to 1920 x 1200 @60Hz
DDC	5 volts p-p (TTL)
Input Equalization	Automatic
Input Cable Length	Up to 20 ft.
Output Cable Length	Up to 20 ft.
AUDIO	
Frequency Response	20 Hz to 20 kHz
Impedance	600 Ohm
Nominal Level	0-1.0 V
Common Mode	Rejection at 60dB
Input Interface	(8) 3.5 mm Stereo Audio
Output Interface	(1) 3.5 mm Stereo Audio

USB	
Signaling	USB 2.0, 1.1, and 1.0 w/ internal hub
Input Interface	(8) USB Type B
Output Interface	(2) USB Type A
CONTROL	
Front Panel	Tact Switch
RS232	Via Software @ 9600 bps
IR	Via Remote Control with IR-EYE Type 3
OTHER	
Power	External 100-240 VAC/5VDC4A @20W
Dimensions	10.5 in W x 1.875 in H x 6 in D
Weight	7 lbs.
Approvals	UL, CE, ROHS Compliant
Operating Temp.	0-55 °C (32-131°F)
Storage Temp.	-20-85 °C (-4-185 °F)
Humidity	Up to 95%
Emulation	NO KEYBOARD OR MOUSE EMULATION

ORDERING INFORMATION

Part No.	Description
DVN-8PS	DVNET-8P, 8X1 DVI-D, USB2.0, Audio switch Includes: [DVN-8P & (PS5VD4A)]
RMT-2	Optional Remote Control with IR-EYE



Designed and Manufactured in the USA

Smart-AVI
SMART AUDIO VIDEO INNOVATION