



V2V-HDAV

HDMI 1080p TO COMPOSITE (CVBS)
DOWNSCALER WITH HDMI LOCAL LOOP

Linking 1080p signals to older, lower resolution displays effortlessly

As high-definition signals and routing have become the dominate sources in the AV world thanks to the prevalence of HD television and Blu-ray players, many users have found some of their previous and established AV systems have become obsolete. Upgrading a system to handle 1080p video and digital audio inputs can be extremely costly, especially if the user's system works just fine. Using that feedback from customers, SmartAVI developed a user-friendly and inexpensive solution for such systems. The V2V-HDAV takes an HDMI input and downscals the signal to a composite video signal, allowing users to bridge the gap between the latest advances in HD signals and the older displays and audio receivers that many systems still rely on and use effectively.

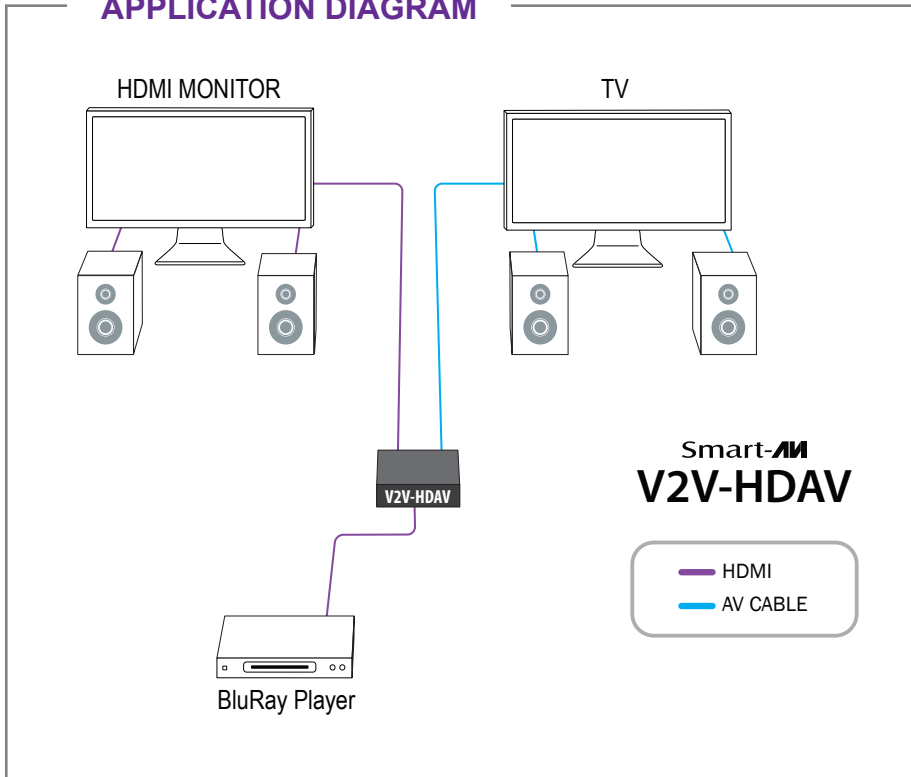
The V2V-HDAV is designed to convert HDMI signal to analog CVBS output and bypass the HDMI signal at the same time. It can downscale the HDMI signal to standard NTSC or PAL formats for output, taking a 1080p image and converting it to 480i or 576i. The system also offers a local HDMI loop, eliminating the use of an external splitter. In addition to video downscaling, the unit also converts digital audio to analog L/R stereo audio output. With no software driver required, the unit offers plug-and-play capability.

The V2V-HDAV gives users tremendous flexibility by enabling them to handle HD signals on their established systems. And with the HDMI loop, it's easy to route a 1080p HD display along with the downscaled signal, as well. This functionality is particularly useful for video conferencing, where individuals are likely to engage with people who may be using a wide range of equipment. Simply put, the V2V-HDAV makes routing 1080p signals effortless on a variety of older displays.

FEATURES:

- Hardware conversion, plug and play without any software driver
- HDMI1.3 compatible
- Support NTSC and PAL two standard TV formats
- One HDMI input, one HDMI output, one AV output, one stereo output
- HDMI input: 480P, 576P, 720P, 1080I, 1080P @ 60Hz
- Compatible with DVI mode 800x600,1024x768,1280x-720,1280x1024,1920x1080/@60hz
- Supports the HDCP protocol
- Support for HDMI 1.3
- CVBS output: 480i, 576i

APPLICATION DIAGRAM



APPLICATIONS:

- Video Conferencing
- Video Capture
- Video Walls
- Education
- Security Systems
- Video Modulation
- Multimedia Presentations
- Video Installation

V2V-HDAV Front



V2V-HDAV Back



SPECIFICATIONS

V2V-HDAV Specifications

MISC	
Video Amplifier Bandwidth	3.2G
Input Ports	1 X HDMI
Input Video Signal	Video (TMDS) 0.5~1.0Vpp
Output Ports	3 X RCA, 1 X HDMI
Signal Supports	HDMI Standard, DVI and HDCP compliant
Pixel Rates	Clock frequency beyond 165Mpix/second
Input DDC Signal	5 Volts

Format	4:4:4 and 4:2:2 data input formats
Dimensions	4.75" W x 1.125" H x 4" D
Resolution	480, 720p, 1080i, 1080p HDMI formats
CBVS Output Resolutions	NTSC, PAL
Power	5VDC 2A

ORDERING INFORMATION

Part No.	Description
V2V-HDAVS	HDMI to AV Converter- Down-scaler. Includes: V2V-HDAV & (PS5VD2A)]



Designed and Manufactured in the USA

Smart-AVI
SMART AUDIO VIDEO INNOVATION