

SWP-T10

ALL-IN-ONE 1080P SMART WALL PLATE EXTENDER



HDMI, VGA, STEREO AUDIO, IR, AND OPTIONAL RS-232 SUPPORT WITH INTEGRATED SCALER AND POE

FEATURES

- Supports POE: Can be powered by SWPT10-TX or POE-ready HDX RX Receivers
- HDMI 1.4 and DVI compliant (with adaptor)
- Automatic, integrated resolution scaler up to 1080p (1920 x 1080 @ 60Hz)
- Extends CAT5e/6 signals up to 70m
- CEC pass-through
- LED status indicators
- Automatic & manual input recognition and selection
- Extends IR remote control
- Optional RS-232 support

APPLICATIONS

- Presentations
- Conferences
- Surveillance
- Remote monitoring
- Healthcare
- Education
- Video correspondence
- Hotels
- Restaurants and digital menus
- Home entertainment

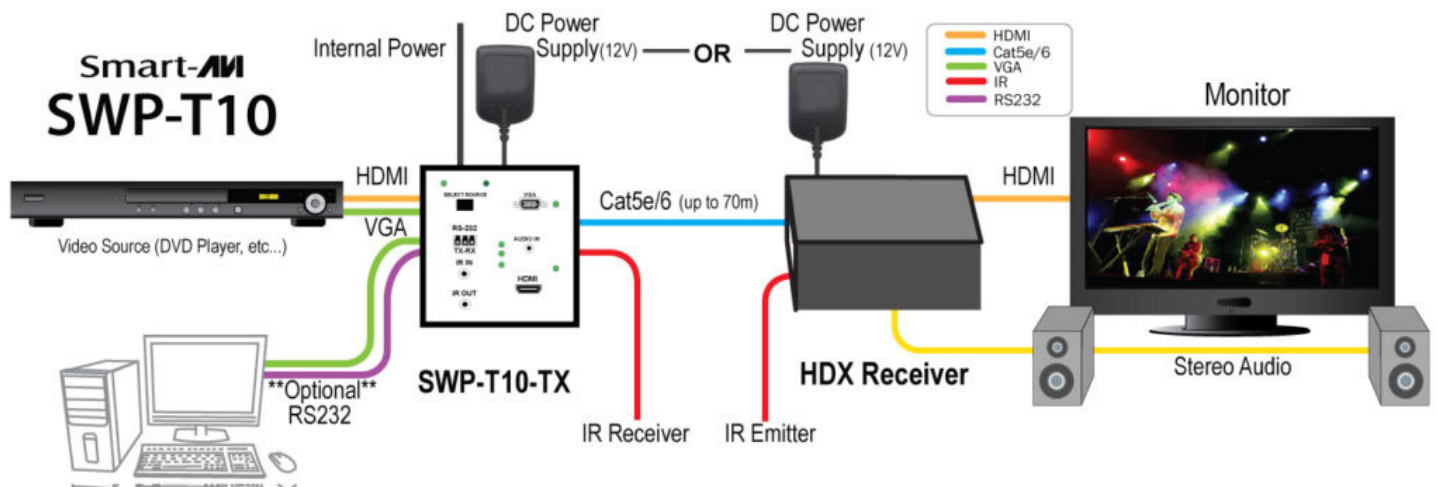


Designed and Manufactured in the USA

OVERVIEW

The Smart Wall Plate T10, or SWP-T10, is SmartAVI's most comprehensive all-in-one wall plate extender in our catalogue to date. The SWP-T10 features HDMI, VGA, stereo audio, and IR extension with CAT5e/6 at lengths up to 70 meters (230 ft).

The T10's automatic scaler bumps picture resolution up to 1080p (1920 x 1080 @ 60Hz), and seamless automatic input recognition optimizes signals. Conveniently powered by either the transmitting or receiving unit, the SWP-T10 blends SmartAVI's signature ease-of-use with quality, highly-adaptable configurations right for any set-up. Keep your environment connected and smart with the Smart Wall Plate T10!



EXTEND FOR ANY APPLICATION IN ANY ENVIRONMENT

SECURITY

When managing content in high-security environments, creating a safe and secure control room is critical. In the vast majority of such applications, that requires routing signals from a server room, where the computers are safely stored, to a control room, where approved personnel access the data and video feeds. Whether that's in a security surveillance center, an operations control room or some other security-related environment, being able to extend video, audio and USB is a must.

The SWP-T10 provides system architects with the flexibility they need to create secure environments for servers as well as the end users accessing those computers. And with video signal extension, users can manage their connected computers with expanded display options, enabling them to stay in control of their content at all times.

DIGITAL SIGNAGE

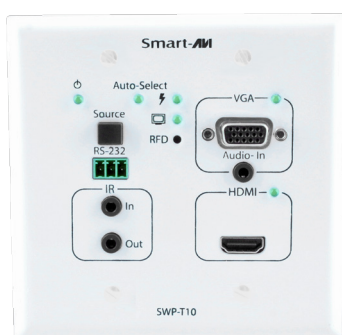
Managing a multi-screen digital signage solution requires some important foresight regarding the signal path to those informative and attractive displays. Particularly when it comes to properly scheduled, updated and managed content being displayed, it's much more efficient to keep all of the digital signage hardware in one central location and to extend the video signals out from there.

That means signal extension is an important part of a smart digital signage solution, and the SWP-T10 gives users the flexibility they want and need to place their digital signage screens in the right locations to maximize their effectiveness.

AUDIO AND VISUAL RECORDING

For users in the recording arts, maintaining the utmost in signal and recording fidelity is an absolute necessity. For video recording, it is often important that no unsightly computers are visible. Similarly, audio engineers must keep noisy computers away from the rooms where recording happens to ensure the final product sounds professional. In both such instances, the SWP-T10 gives users the ideal way to keep their servers or computers away from areas that audio or video recording is being done, ensuring a better final product.

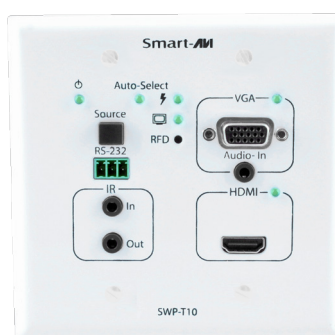
EXTENDER UNITS



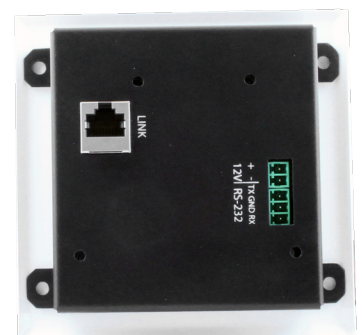
SWP-T10-TX Front



SWP-T10-TX Back



SWP-T10-RX Front



SWP-T10-RX Front

TECHNICAL SPECIFICATIONS

INPUT/OUTPUT	
Compliance	HDMI 1.4 and HDCP 1.2
HDTV Resolutions	Up to 1080p (1920 x 1080 @ 60Hz)
Max Data Rate	6.75 Gbps
Input Interface	(1) HDMI Type-A; (1) VGA; (1) Stereo Audio; (1) IR IN
Output Interface	(1) RJ45; (1) IR OUT

CONTROL	
IR	Infrared Remote Control (In/Out)
Front Panel	SELECT SOURCE button (select/switch)
RS-232	Optional RS-232 port remote control with PC

IR	
Signal Type	38 KHz
Interface	3.5 mm Jack Socket (Female)

OTHER	
Power	PS12V-2A
Dimensions	4.6"W x 4.6"H x 1.45"D
Weight	0.75 lbs
Approvals	UL, CE, ROHS Compliant
Operating Temperature	32-104°F (0-40 °C)
Storage Temperature	-4-185 °F (-20-85 °C)
Humidity	Up to 90%

PART NO.	DESCRIPTION
SWP-T10-S	HDMI, VGA, Stereo Audio and IR POE Extender with Integrated Scaler and Converter. Includes [SWP-T10-TX-S, SWP-T10-RX-S, 2 x (PS12VD2A-WLLMNT)]
SWP-T10-TX-S	HDMI, VGA, Stereo Audio and IR POE Transmitter with Integrated Scaler and Converter. Includes [SWP-T10-TX-S and PS12VD2A-WLLMNT]
SWP-T10-RX-S	HDMI, VGA, Stereo Audio and IR POE Receiver with Integrated Scaler and Converter. Includes [SWP-T10-RX-S and PS12VD2A-WLLMNT]

www.smartavi.com

Tel: (800) AVI-2131 • (702) 800-0005
2455 W Cheyenne Ave, Suite 112
North Las Vegas, NV 89032

Smart-AVI
SMART AUDIO VIDEO INNOVATION