

# FX-USB V2

USB 2.0 FIBER EXTENDER



## USER MANUAL

FX-USB V2

USB 2.0 Fiber Extender



Designed and Manufactured in the USA

**Smart-AVI**

1-800-284-2131  
www.smartavi.com

# OVERVIEW

TECHNICAL SPECIFICATIONS ..... 3

WHAT'S IN THE BOX? ..... 4

OVERVIEW ..... 4

INSTALLATION ..... 5

TROUBLESHOOTING ..... 6

TECHNICAL SUPPORT ..... 6

LIMITED WARRANTY STATEMENT ..... 7

# TECHNICAL SPECIFICATIONS

USB	
USB Standard	Support USB2.0 protocol
Input Interface (TX)	(1) USB Type A (female)
Output interface (RX)	(4) USB Type A (Female)
OPTICAL	
Interface	FC/SC
Extend Distance	Single mode: 0-20 km; Multimode: 0-2 km
Wavelength	850nm/1310nm/1550nm
OTHER	
Power Supply (TX/RX)	DC12V/1.5-2A
Dimensions (TX/RX)	6.3" L x 5" W x 1.2" H
Weight (TX/RX)	3.6 lbs
Operating temperature	32-131 °F (0-55 °C)
Storage temperature	-4-185 °F (-20-85 °C)
Humidity	Up to 95% (non-condensing)

# WHAT'S IN THE BOX?

PART NO.	Q-TY	DESCRIPTION
FX-USB-V2-TX-S	1	USB 2.0 Fiber Transmitter
FX-USB-V2-RX-S	1	USB 2.0 Fiber Receiver
PS5VD4A	2	PS5VD4A Power Supply
User Manual	1	

## FX-USB V2-TX FRONT

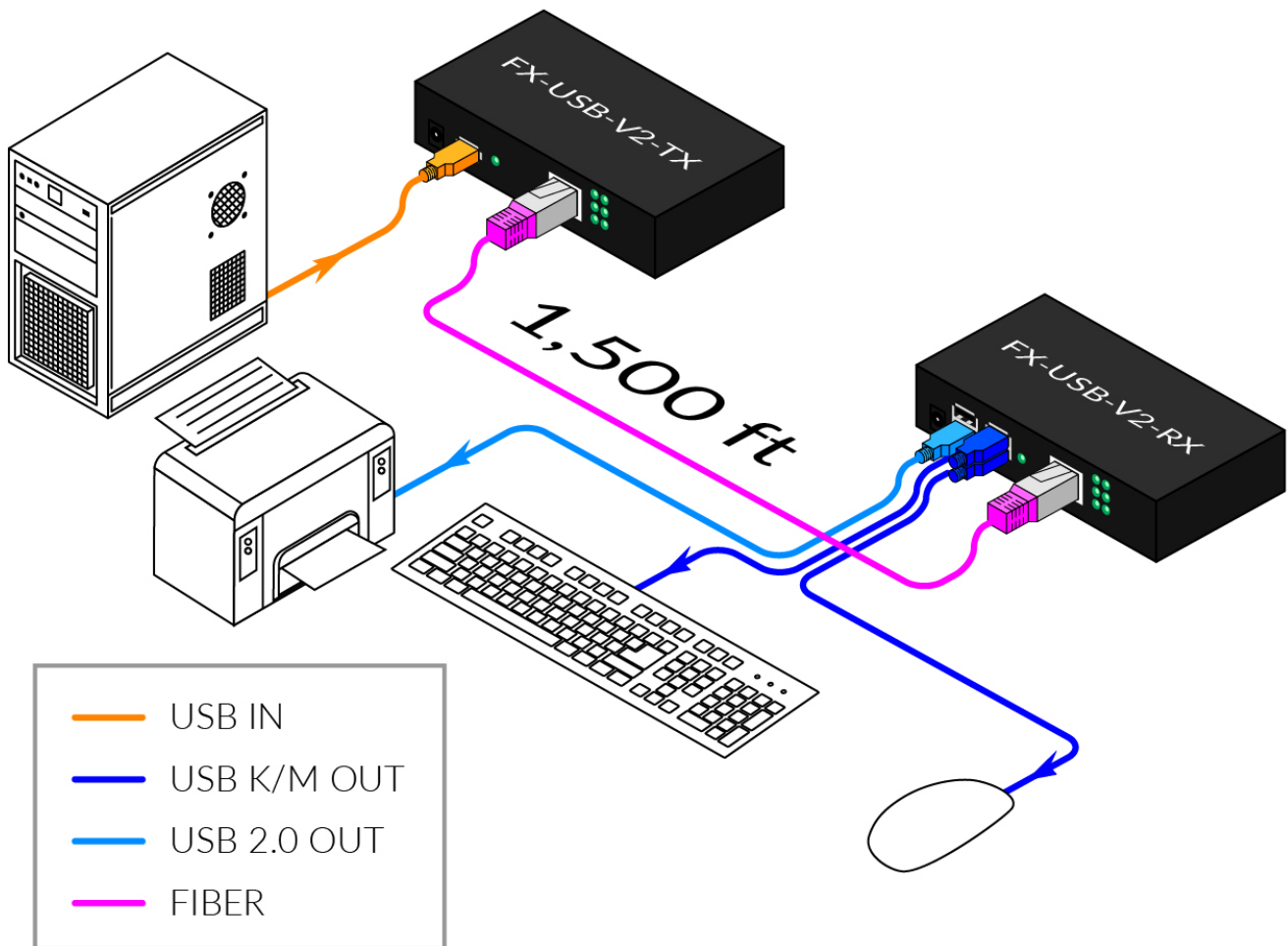


## FX-USB V2-RX FRONT



# INSTALLATION

1. Power off all devices.
2. Connect the USB source (computer) to the USB port on the front of the FX-USB-V2-TX (transmitter).
3. Connect the FX-USB-V2-TX (transmitter) to the FX-USB-V2-RX (receiver) using a fiber optic cable up to 1,500 feet in length.
4. Connect up to four USB 1.1 or 2.0 devices to the integrated 4-port USB hub on the front of the FX-USB-V2-RX (receiver).
5. Connect the power supply to the FX-USB-V2-TX and the FX-USB-V2-RX.
6. Power on the computer and USB devices.



# TROUBLESHOOTING

## No Power

- Make sure that the power adapter is securely connected to the power connector of the unit.
- Check the output voltage of the power supply and make sure that the voltage value is around 12VDC.
- Replace the power supply.

## No Video

- Check if all the video cables are connected properly.
- Connect the computer directly to the monitor to verify that your monitor and computer are functioning properly.
- Restart the computers.

## Keyboard is not working

- Check if the keyboard is properly connected to the unit.
- Check if the USB cables connecting the unit and the computers are properly connected.
- Try connecting the USB on the computer to a different port.
- Make sure that the keyboard works when directly connected to the computer.
- Replace the keyboard.

## Mouse is not working

- Check if the mouse is properly connected to the unit.
- Try connecting the USB on the computer to a different port.
- Make sure that the mouse works when directly connected to the computer.
- Replace the mouse.

## No Audio

- Check if all the audio cables are connected properly.
- Connect the speakers directly to the computer to verify that the speakers and the computer audio are functioning properly.
- Check the audio settings of the computer and verify that the audio output is through the speakers.

# TECHNICAL SUPPORT

For product inquiries, warranty questions, or technical questions, please contact [info@smartavi.com](mailto:info@smartavi.com).

# LIMITED WARRANTY STATEMENT

## A. Extent of limited warranty

SmartAVI, Inc. warrants to the end-user customers that the SmartAVI product specified above will be free from defects in materials and workmanship for the duration of 1 year, which duration begins on the date of purchase by the customer. Customer is responsible for maintaining proof of date of purchase.

SmartAVI limited warranty covers only those defects which arise as a result of normal use of the product, and do not apply to any:

- a. Improper or inadequate maintenance or modifications
- b. Operations outside product specifications
- c. Mechanical abuse and exposure to severe conditions

If SmartAVI receives, during applicable warranty period, a notice of defect, SmartAVI will at its discretion replace or repair defective product. If SmartAVI is unable to replace or repair defective product covered by the SmartAVI warranty within reasonable period of time, SmartAVI shall refund the cost of the product.

SmartAVI shall have no obligation to repair, replace or refund unit until customer returns defective product to SmartAVI.

Any replacement product could be new or like new, provided that it has functionality at least equal to that of the product being replaced.

SmartAVI limited warranty is valid in any country where the covered product is distributed by SmartAVI.

## B. Limitations of warranty

To the extent allowed by local law, neither SmartAVI nor its third party suppliers make any other warranty or condition of any kind whether expressed or implied with respect to the SmartAVI product, and specifically disclaim implied warranties or conditions of merchantability, satisfactory quality, and fitness for a particular purpose.

## C. Limitations of liability

To the extent allowed by local law the remedies provided in this warranty statement are the customers sole and exclusive remedies.

To the extent allowed by local law, except for the obligations specifically set forth in this warranty statement, in no event will SmartAVI or its third party suppliers be liable for direct, indirect, special, incidental, or consequential damages whether based on contract, tort or any other legal theory and whether advised of the possibility of such damages.

## D. Local law

To the extent that this warranty statement is inconsistent with local law, this warranty statement shall be considered modified to be consistent with such law.

# Smart-AVI

SMART AUDIO VIDEO INNOVATION

## NOTICE

The information contained in this document is subject to change without notice. SmartAVI makes no warranty of any kind with regard to this material, including but not limited to, implied warranties of merchantability and fitness for particular purpose. SmartAVI will not be liable for errors contained herein or for incidental or consequential damages in connection with the furnishing, performance or use of this material. No part of this document may be photocopied, reproduced, or translated into another language without prior written consent from SmartAVI, Inc.

20180109



**Designed and Manufactured in the USA**

Tel: (800) AVI-2131 • (702) 800-0005  
2455 W Cheyenne Ave, Suite 112  
North Las Vegas, NV 89032

**[www.smartavi.com](http://www.smartavi.com)**