

SM-DPN-4S

FORMERLY DPN-4P

4-PORT DISPLAYPORT KVM SWITCH WITH USB 2.0 SHARING



**ACCESS AND CONTROL UP TO 4 DISPLAYPORT COMPUTERS
FROM A SINGLE USB KEYBOARD/MOUSE AND MONITOR**

FEATURES

- DisplayPort Video Connectors
- Supports all major Operating Systems like Windows, Mac, Linux, Sun, Unix, DOS, etc.
- Supports resolutions up to 3840 x 2160 @ 30 Hz
- Supports USB keyboard and mouse
- Supports additional USB 2.0 devices like printers, scanners, web cameras and more
- Flash upgradeable firmware
- Stereo Audio support
- Front panel keys for manual port selection
- Hot-key commands for quick port selection
- RS-232 for remote control
- Independent (asynchronous) switching of KVM and peripheral USB/audio ports. Users can listen to audio from one computer while working on a different computer, or scan a document and save it on another computer
- Complete keyboard emulation for error free booting

APPLICATIONS

- Server Collocation
- Digital Signage
- Education
- Airports
- Dealer Rooms
- Control Rooms
- Audio/Visual Presentations
- Shopping Centers
- Hotels/Resorts



Designed and Manufactured in the USA

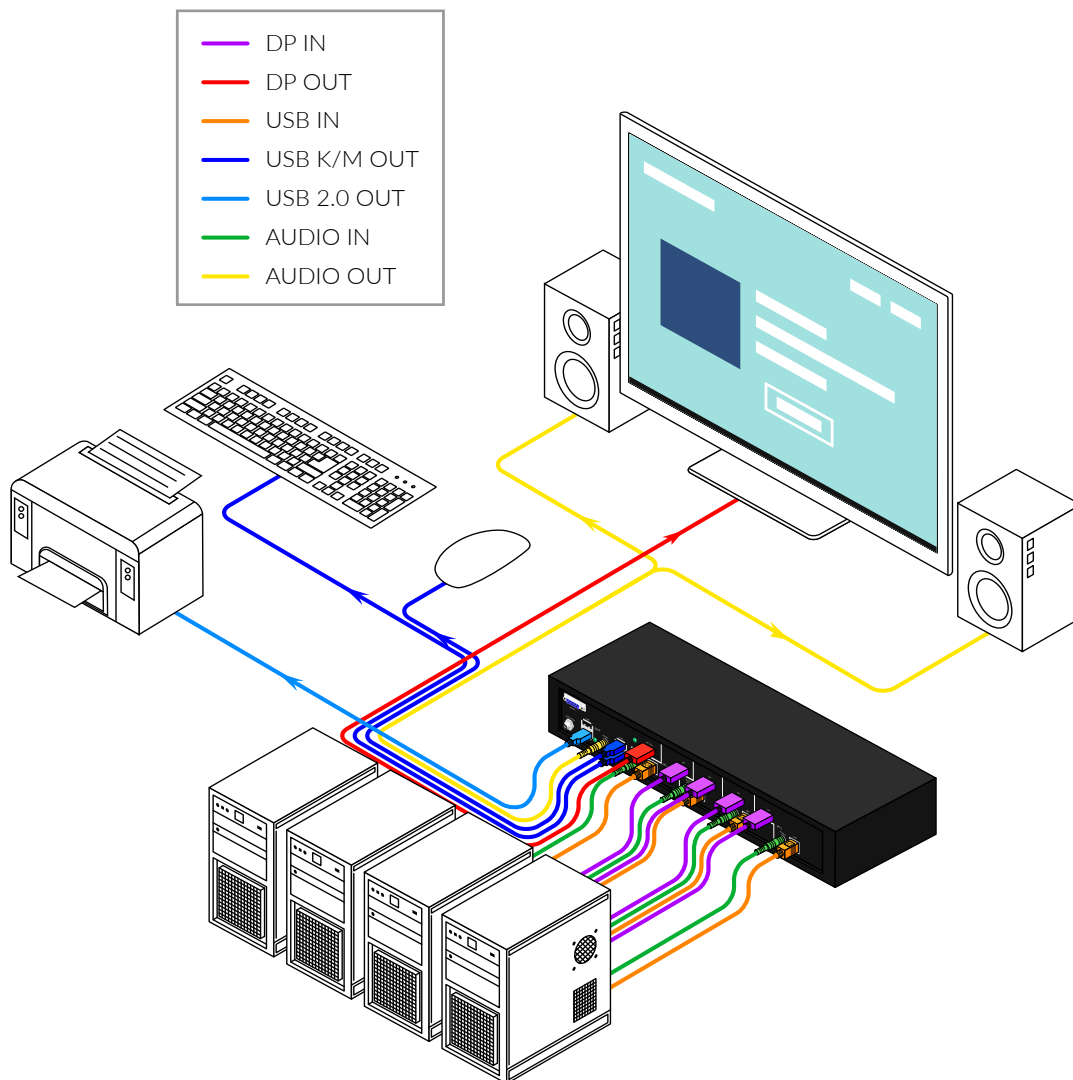
OVERVIEW

The SM-DPN-4S (formerly DPN-4P) is a dedicated multi-platform KVM Switch capable of managing up to 4 different computers through a single monitor, USB keyboard & mouse, a set of speakers and USB devices like printers, memory devices, scanners, etc. The video connectors on the unit are DP, which allows support for HDMI and VGA using inexpensive passive adapters or cables.

The SM-DPN-4S supports resolutions of up to 3840 x 2160 @ 30 Hz with zero pixel loss from TMDS signal correction.

APPLICATION DIAGRAM

The main function of this KVM Switch is to centralize the access of several computer into a single, comprehensive KVM Station. Its USB 2.0 functionality support allows users at the console to access USB devices that would otherwise be unavailable on conventional KVM Switches. For example, it allows the use of a flash memory drive or camera without having to plug it directly into the remote computer. The SM-DPN-4S is a perfect solution for the medical or industrial field where it may not be practical or safe to have on or more CPUs in the general vicinity.



FLEXIBLE CONTROL

RS-232

Any external device or program supporting RS-232 can control the SM-DPN-4S. The SM-DPN-4S uses a very simple protocol, enabling easy integration with the RS-232 control devices.

USB/KEYBOARD

Hot keys enable the user to switch and control all the different functions of the KVM Switch

FLEXIBLE SHARING

INDEPENDENT SIMULTANEOUS DEVICE SELECTION

Flexibility is key with the SM-DPN-4S. It enables the use of a USB keyboard and mouse on one computer while other USB peripherals such as speakers, scanners and printers are connected to other computer sources. The SM-DPN-4S maintains the ability to switch all connected devices to any one of the computer sources as with any other KVM Switch in the market.



SM-DPN-4S Back



SM-DPN-4S Front

TECHNICAL SPECIFICATIONS

VIDEO

| | |
|---------------------|---|
| Format | DisplayPort |
| Maximum Pixel Clock | 165 MHz |
| Input Interface | (4) DisplayPort |
| Output Interface | (1) DisplayPort |
| Resolution | 3840 x 2160 @ 30 Hz |
| Color Mode | 24-bit |
| DDC | 5 volts p-p (TTL) |
| Input Equalization | Automatic |
| Input Cable Length | Up to 20 ft. |
| Output Cable Length | Up to 20 ft. |
| Data Rate | 1.65 Gbps per color |
| Console Monitors | Supports both digital and analog monitors |

AUDIO

| | |
|--------------------|-------------------------|
| Input Interface | (4) 3.5 mm Stereo Audio |
| Output Interface | (1) 3.5 mm Stereo Audio |
| Impedance | 600 Ohm |
| Frequency Response | 20 Hz to 20 kHz |
| Nominal Level | 0-1.0 V |
| Common Mode | Rejection at 60 dB |

SOFTWARE COMPATIBILITY

| | |
|-------------------|--|
| Operating Systems | Operates with virtually any OS including Windows, DOS, Linux, Unix, Sun, Mac, etc. |
|-------------------|--|

USB

| | |
|------------------|---|
| Signal Type | USB 2.0, 1.1, and 1.0 w/ internal hub |
| Input Interface | (4) USB Type B |
| Output Interface | (2) USB 1.1 Type A for KVM Devices; (2) USB 2.0 Type A Transparent |

CONTROL

| | |
|-------------|----------------------------------|
| Front Panel | Push Buttons with LED Indicators |
| RS-232 | Via Control @ 115200 bps |
| Hot Keys | Via Keyboard |

OTHER

| | |
|-----------------------|---------------------------------------|
| Power | External 100-240 VAC/12VDC2A @ 24W |
| Dimensions | 12.57" W x 1.76" H x 6.69" D |
| Weight | 4.2 lbs |
| Approvals | UL, CE, ROHS Compliant |
| Operating Temperature | +32 to +104°F (0 to +40°C) |
| Storage Temperature | -4 to 140°F (-20 to +60°C) |
| Humidity | Up to 80% (No Condensation) |
| Emulation | Keyboard and Mouse |

PART NO.

DESCRIPTION

| | |
|----------------------------------|--|
| SM-DPN-4S-S (formerly DPN-4P) | 4-Port DisplayPort KVM Switch with Audio and USB 2.0 Support. Includes: [SM-DPN-4S, and PS12VD2A] |
|----------------------------------|--|

www.smartavi.com

Tel: (800) AVI-2131 • (702) 800-0005
2455 W Cheyenne Ave, Suite 112
North Las Vegas, NV 89032

Smart-AVI
SMART AUDIO VIDEO INNOVATION