

# HDR-UHD-40X40

40X40 ULTRA HD (4K/60HZ) SEAMLESS MATRIX



**MATRIX SOLUTION WITH 4K FULL UHD INPUTS AND OUTPUTS,  
AN INTEGRATED CONVERTER AND SCALER**

## FEATURES

- Supports UHD 4K/60Hz, 4K/30Hz and 1080p/60Hz on both inputs and outputs
- HDMI 2.0 input
- Seamless switching
- Control via IP, RS232 and the front panel
- Windows GUI allows unlimited customization
- Integrated scaler can convert any resolution to UHD
- Complete hardware solution
- Plug-and-play ready
- Unlimited Layouts

## APPLICATIONS

- Corporate or Educational Presentations
- Airport Installations
- Digital Signage
- Dealer Rooms
- Control Rooms
- Shopping Centers
- Security
- Point-of-Sale Retail
- Entertainment Venues
- Corporate Lobbies
- Restaurants



Designed and Manufactured in the USA

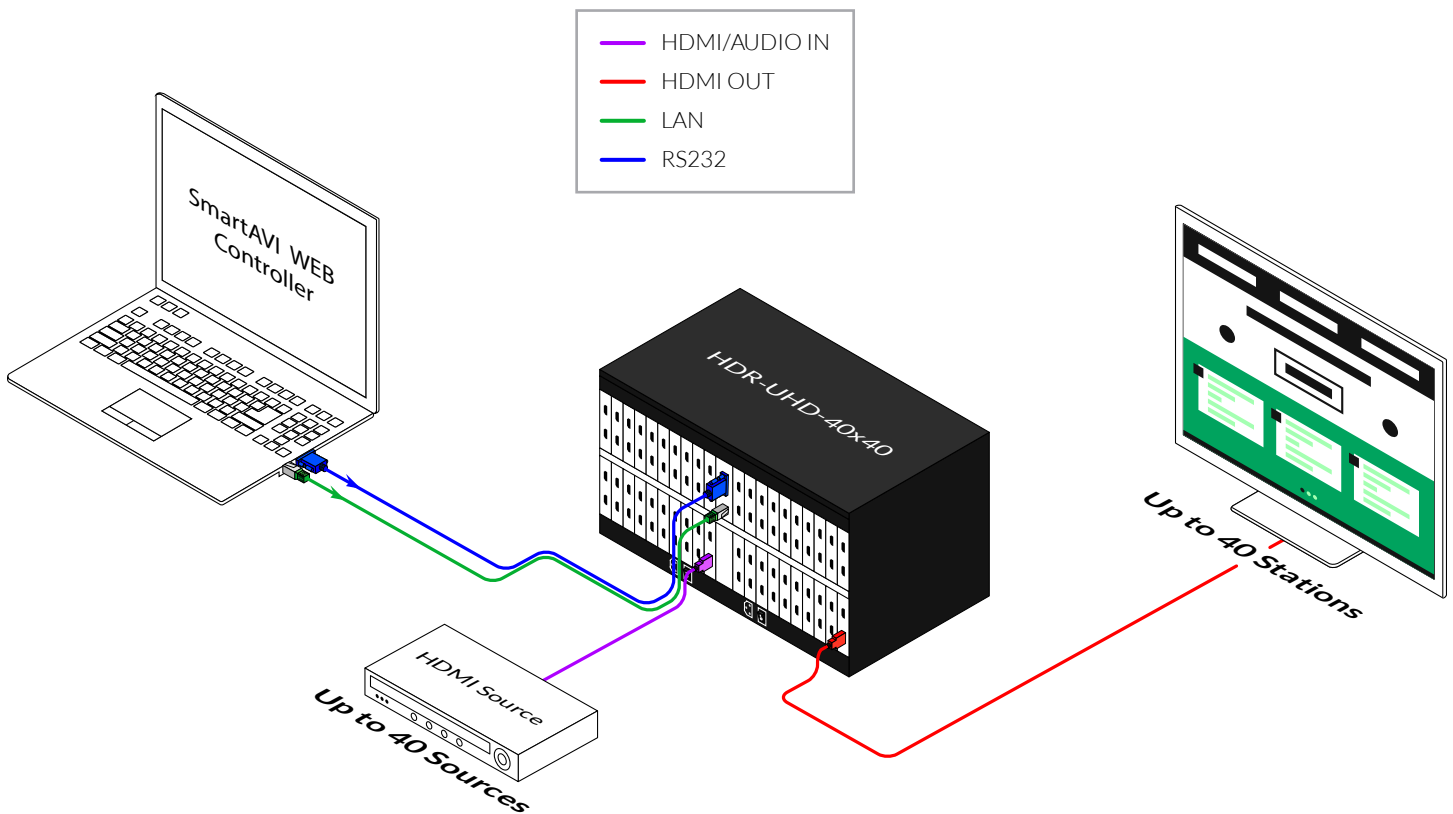
# OVERVIEW

The HDR-UHD-40X40 is a matrix switch with up to 40 full UHD inputs and 40 outputs, an integrated converter and scaler. Compact, plug-and-play, and excellent for mid-sized displays between 40 screens with resolutions up to 4K (3840x2160 @ 24 Hz/25 Hz/30 Hz/50 Hz/60 Hz) Full UHD.

The HDR-UHD-40X40 is simple to control, outfitted with easy front-panel buttons and optional RS232 control. The HDR-UHD-40X40 comes with SmartAVI's intuitive HDR-UHD Manager software absolutely free! HDR-UHD Manager software lets users manually create and adjust their ideal displays using simple click-and-drag operation: it's fun and great for users of any technical skill level! Users can choose from a number of great pre-configured screen modes as well, displaying content in various layouts with the press of a button. The HDR-UHD-40X40 also features TCP/IP web control for LAN-connected units, so users can control the contents of the display from the comfort of a PC workstation.

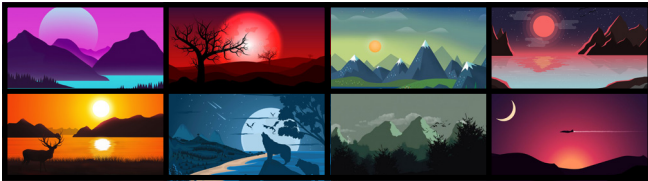
Its compact design and powerful processing power make the HDR-UHD-40X40 the perfect solution for any installation. Plug-and-play, the HDR-UHD-40X40 is immediately ready for use as soon as it is connected to an AV set-up: no additional drivers or installers required. Better still, its exceptional hardware makes for stunning displays in environments like retail spaces, educational facilities, conference rooms, command centers, etc.

## Smart-AVI



# AVAILABLE CONFIGURATIONS

It is easy to create different configurations or modes that are simple to navigate through with the HDR-UHD-40X40. There are endless possibilities. Creating and switching between display modes is simple. Front panel buttons, on-screen-display, RS232, and TCP/IP can be used to switch between modes at will. The HDR-UHD-40X40 presents nearly unlimited configuration possibilities.

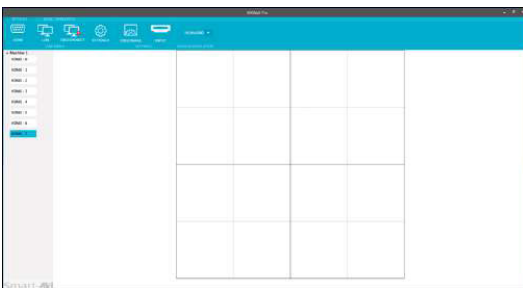


## INDIVIDUAL MODE

Users can route individual input images to each display individually.

# HDR-UHD MANAGER SOFTWARE

The HDR-UHD-40X40 also comes with SmartAVI's intuitive HDR-UHD Manager software, which allows users to create amazing video wall displays in minutes. Its click-and-drag operation and simple layout ensure managing video walls is easy and effective every time!

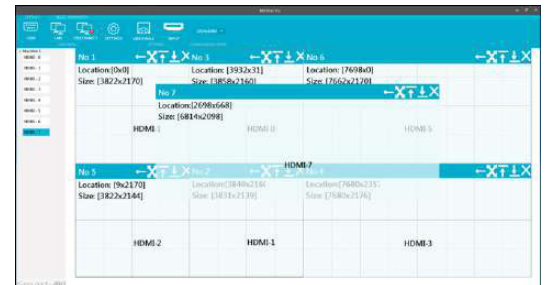


## EASY TO USE

The HDR-UHD Manager software features a streamlined layout that keeps things simple and clear. Our intuitive menus and settings interface ensure set-ups always are easy and stress-free. Choose from settings like aspect-ratio, rows, columns, video sources, and more! Adjust resolutions, scaling, and active monitors on the fly. Not happy with your current configuration? Just clear the workspace and start fresh: it's that simple!

## FULLY CUSTOMIZABLE

Take your pick of any of our versatile display modes. Select any screen and input the source you would prefer. Even multiple video sources can share a single screen with INDIVIDUAL and QUAD display modes. The possibilities are as endless as your creative potential!



## FRONT AND BACK



HDR-UHD-40X40 Front panel



HDR-UHD-40X40 Back panel

## TECHNICAL SPECIFICATIONS

VIDEO	
Video Amplifier Bandwidth	18 Gbps
Input Video Signal	Video (TMDS) 0.4~1.0Vpp
Input DDC Signal	5 volts
Compliances	HDMI 2.0, HDCP 2.2
Input Resolutions	3840 x 2160 @ 24 Hz / 25 Hz / 30 Hz / 50 Hz / 60 Hz
Output Resolutions	3840 x 2160 @ 24 Hz / 25 Hz / 30 Hz / 50 Hz / 60 Hz; 1080p @ 60 Hz
Video Type	HDMI2.0
Input Interface	(40) HDMI 19-pin (female)
Output Interface	(40) HDMI 19-pin (female)

AUDIO	
Format	Stereo
Input Interface	(40) HDMI2.0 (Female)
Output Interface	(40) 3.5mm (Female)

CONTROL	
Front Panel	Tacticle Switches
RS-232	DB9 connector, Baud Rate 115200
TCP/IP	RJ45, UDP telnet

OTHER	
Working Temperature	0°C~+40°C
Storage Humidity	20%~90%
Weight	24.45 lbs
Dimensions	17" W x 7 1/8" H x 15" D
Power Supply	50/60Hz, 110-240 VAC
Consumption	100W

PART NO.	DESCRIPTION
HDR-UHD-40X40-S	40x40 4K/60Hz Video Matrix Switch. Includes: [HDR-UHD-40X40 and CCPWR06]

[www.smartavi.com](http://www.smartavi.com)

Tel: (888) 994-7427 • (702) 800-0005  
2455 W Cheyenne Ave, Suite 112  
North Las Vegas, NV 89032

**Smart-AVI**  
SMART AUDIO VIDEO INNOVATION