

HDX-200

HDMI IP EXTENDER/SPLITTER OVER CAT5



**EXTEND FHD HDMI UP TO 500 FEET TO ONE OR MULTIPLE LOCATIONS
USING STANDARD CAT5 CABLING WITH AN ETHERNET SWITCH**

FEATURES

- **Extends HDMI Over CAT5 up to 500 ft:** Ensures high-quality image transmission over distances up to 500 ft using cost-effective CAT5 cabling.
- **Multi-Point Distribution:** Splits and extends HDMI signals to up to 8 receivers, increasing the extension range by an additional 500 feet with an ethernet switch.
- **High-Performance Video:** Supports resolutions up to 1920×1080 at 60Hz, ensuring clear and vibrant image quality.
- **Advanced Compression:** Utilizes H.265 compression technology to deliver high-quality images with minimal latency.
- **Flexible Connectivity:** Operates in a direct 1-to-1 setup or a 1-to-many configuration using a standard ethernet switch.
- **Automatic DDC Learning:** Automatically configures itself by learning display data from the connected monitor for optimal resolution settings.
- **Universal Compatibility:** Functions seamlessly with all operating systems.
- **Compact Design:** Small footprint allows for easy integration into any setup without spatial constraints.
- **Plug-and-Play Installation:** Ready to use out of the box, requiring no complicated setup.

APPLICATIONS

- Retail Locations
- Bars/Lounges
- Showroom Floors
- Convention Booths
- Hotel/Resort Check-In Counters
- Corporate/Educational Demonstrations
- Houses of Worship
- Medical Facilities
- Recording/Editing Studios

DIGITAL SIGNAGE APPLICATION

Managing a multi-screen digital signage solution requires some important foresight regarding the signal path to those informative and attractive displays. Particularly when it comes to properly scheduled, updated and managed content being displayed, it's much more efficient to keep all of the digital signage hardware in one central location and to extend the video signals out from there.

That means signal extension is an important part of a smart digital signage solution, and the HDX-200 gives users the flexibility they want and need to place their digital signage screens in the right locations to maximize their effectiveness.



Designed and Manufactured in the USA

OVERVIEW

Efficient and Flexible A/V Solutions

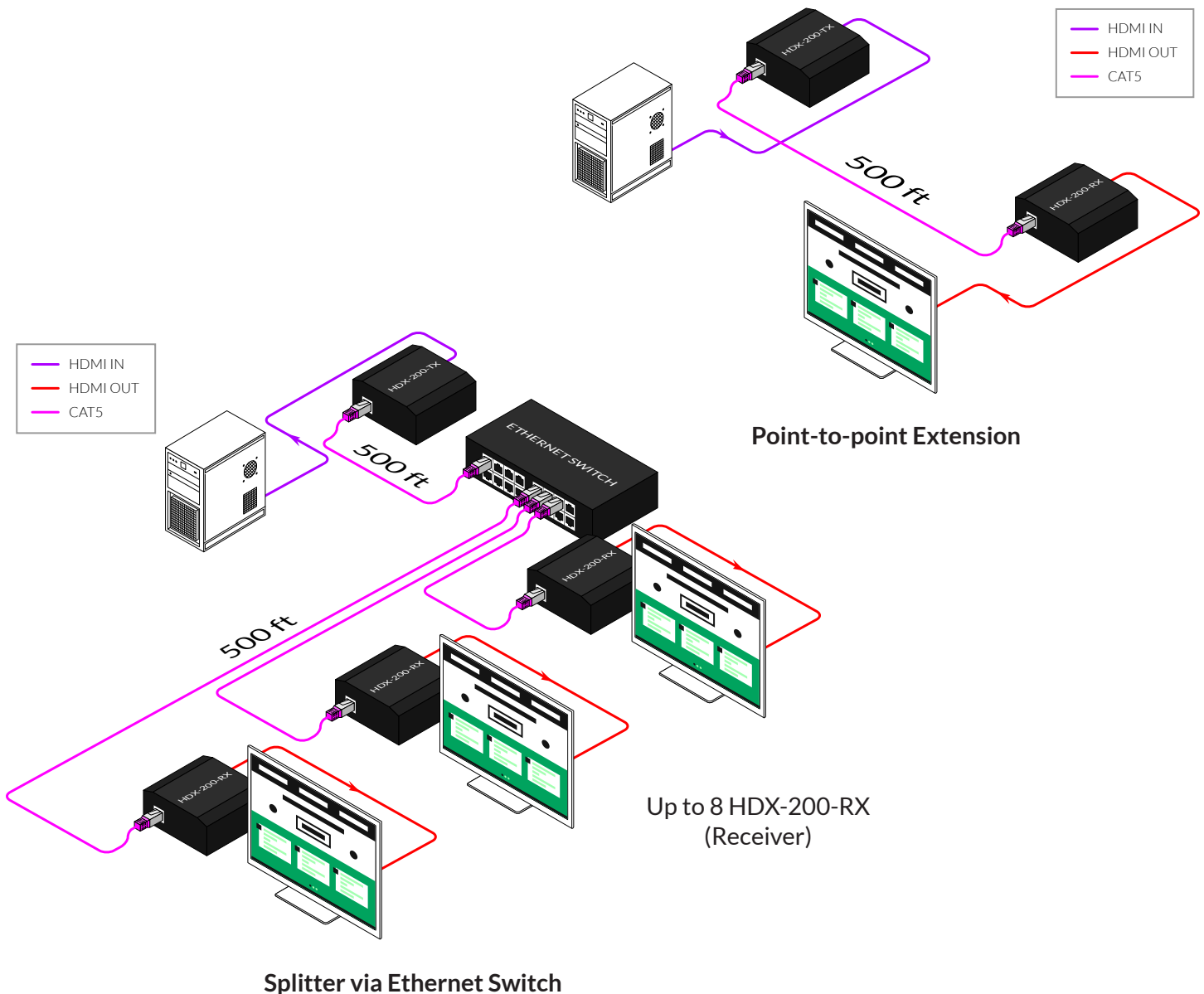
The HDX-200 HDMI Extender/Splitter revolutionizes your audiovisual setups, extending pristine HDMI signals up to 500 ft through economical CAT5 cabling. Its compact design ensures it can be conveniently placed anywhere, preserving the aesthetics of your space while delivering unmatched performance.

Scalable and High-Performance

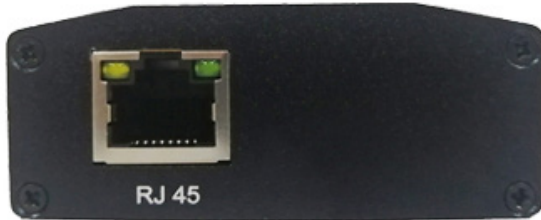
Whether operating in a point-to-point setup or through an ethernet switch, the HDX-200 is designed to split and extend your HDMI signals to up to 8 receivers without any loss in signal quality. This flexibility makes it perfect for a variety of professional and commercial environments.

Streamlined Connectivity

This plug-and-play solution is ready to deploy with automatic settings adjustment for various display resolutions and compatibility across all operating systems. Keep your primary equipment out of sight by utilizing the HDX-200 to reliably manage your HDMI connections remotely.



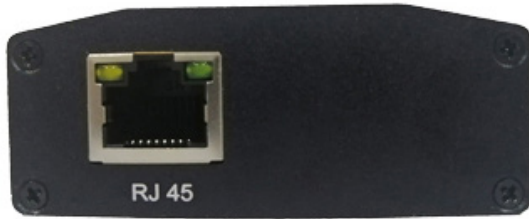
FRONT AND BACK



HDX-200-TX Front Panel



HDX-200-TX Back Panel



HDX-200-RX Front Panel



HDX-200-RX Back Panel

TECHNICAL SPECIFICATIONS

VIDEO & AUDIO	
Format	HDMI1.3
Input Interface	(1) HDMI Type A 19 pin (female)
Output Interface	(1) HDMI Type A 19 pin (female)
Resolution	Up to 1080p
Color Depth	24-bit/30-bit deep color/36-bit deep color
Audio formats	DTS/HD/Dolby-tureHD/LPCM7.1/DTS/Dolby-AC3/DSD
TMDS	0.5-1.5Vp-p(TTL)
DDC	5Vp-p(TTL)
Transmission Distance	Up to 500 ft (point to point)

SYSTEM	
Input Interface	(1) RJ-45
Output Interface	(1) RJ-45

OTHER	
Power	5V 2A
Dimensions	3.2"W x 2.5"L x 1"H
Weight	0.6 lbs
Approvals	UL, CE, ROHS Complaint
Operating Temperature	5-131°F (-15-55 °C)
Storage Temperature	-40-176°F (-40-80 °C)
Humidity	Up to 95%

PART NO.	DESCRIPTION
HDX-200-S	HDMI Extender over CAT5 up to 500 feet. Includes: [HDX-200-TX-S, HDX-200-RX-S and 2 x (PS-PS5VDC2A)]
HDX-200-TX-S	HDMI Transmitter over CAT5 up to 500 feet. Includes: [HDX-200-TX-S and PS-PS5VDC2A]
HDX-200-RX-S	HDMI Receiver over CAT5 up to 500 feet. Includes: [HDX-200-RX-S and PS-PS5VDC2A]

www.smartavi.com

Tel: (888) 994-7427 • (702) 800-0005
2917 E Alexander Rd.
North Las Vegas, NV 89030

Smart-AVI
SMART AUDIO VIDEO INNOVATION